

14TH RIGA OPEN WUSHU CUP



FINAL RESULTS

JUNE 8-9, 2024

RIGA, LATVIA

"Taolu Barehand Changquan B (1 set) forms | Female | Cadets, Juniors 12-17 years"

#	Name	Team	Country	Score
1	Sofija Hopaniuk	Team Konoha Martial Arts Academy	Latvia	8,1
2	Veronika Veidere	Team Konoha Martial Arts Academy	Latvia	7,9
3	Poļina Kovtaņuka	Team Konoha Martial Arts Academy	Latvia	7,85
4	Marija Kustova	Rīgas U-šu Kungfu un austrumcīņu sporta centrs	Latvia	7,75

"Taolu Barehand Changquan, Nanquan A (3 set, Optional), B (1 set) forms | Male | Juniors 15-17 years"

#	Name	Team	Country	Score
1	Filips Sebastians Banders	Rīgas U-šu Kungfu un austrumcīņu sporta centrs	Latvia	8,55
2	Nykyta Kokins	Rīgas U-šu Kungfu un austrumcīņu sporta centrs	Latvia	8,4
3	Danila Morevs	Team Konoha Martial Arts Academy	Latvia	8,35
4	Artūrs Grigorjevs	Rīgas U-šu Kungfu un austrumcīņu sporta centrs	Latvia	8,15

"Taolu Barehand Changquan B (1 set) forms | Male | Cadets 12-14 years"

#	Name	Team	Country	Score
1	Eduards Rumjancevs	Rīgas U-šu Kungfu un austrumcīņu sporta centrs	Latvia	7,85
2	Ilja Mihailovs	Rīgas U-šu Kungfu un austrumcīņu sporta centrs	Latvia	7,7
3	Miroslavs Pozņakovs	Rīgas U-šu Kungfu un austrumcīņu sporta centrs	Latvia	7,3
4	Konstantīns Semenko	Rīgas U-šu Kungfu un austrumcīņu sporta centrs	Latvia	7,15

"Taolu Barehand Changquan B (1 set) forms | Male | Children 9-11 years"

#	Name	Team	Country	Score
1	Leonids Veselovs	Rīgas U-šu Kungfu un austrumcīņu sporta centrs	Latvia	7,4
2	Andrejs Zaborovskis	Rīgas U-šu Kungfu un austrumcīņu sporta centrs	Latvia	

"Taolu Barehand Changquan C (32) forms | Female | Children 9-11 years"

#	Name	Team	Country	Score
1	Anna Zablocka	Team Konoha Martial Arts Academy	Latvia	8
2	Uljana Lukjanenko	Team Konoha Martial Arts Academy	Latvia	7,95
3	Sati Bagojana	Team Konoha Martial Arts Academy	Latvia	7,55
4	Ksenija Romaševa	Team Konoha Martial Arts Academy	Latvia	7,35
5	Poļina Romaševa	Team Konoha Martial Arts Academy	Latvia	7,3
6	Anna Naudžuna	Rīgas U-šu Kungfu un austrumcīņu sporta centrs	Latvia	7,3
7	Nikoļā Petrova	Rīgas U-šu Kungfu un austrumcīņu sporta centrs	Latvia	

"Taolu Barehand Changquan C (32) forms | Male | Children 7-8 years"

#	Name	Team	Country	Score
1	Mihails Varliga	Rīgas U-šu Kungfu un austrumcīņu sporta centrs	Latvia	7,6
2	Dominiks Jelisejevs	Rīgas U-šu Kungfu un austrumcīņu sporta centrs	Latvia	7,35

"Taolu Barehand Changquan C (32) forms | Male | Children 9-11 years"

#	Name	Team	Country	Score
1	Ilja Kiseļovs	Rīgas U-šu Kungfu un austrumcīņu sporta centrs	Latvia	7,8
2	Jevhenii Sushkevych	Team Konoha Martial Arts Academy	Latvia	7,65
3	Arsenijs Pravdivecs	Rīgas U-šu Kungfu un austrumcīņu sporta centrs	Latvia	7,625
4	Vladislavs Beļskis	Team Konoha Martial Arts Academy	Latvia	7,3
5	Davidis Buckis	Rīgas U-šu Kungfu un austrumcīņu sporta centrs	Latvia	7,25
6	Gļebs Seļeckis	Rīgas U-šu Kungfu un austrumcīņu sporta centrs	Latvia	7,2
7	Timurs Krasnovs	Team Konoha Martial Arts Academy	Latvia	7,15
8	Raphael Alexander Bastian	Golden Dragon Martial Arts School	Germany	7

"Taolu Barehand Changquan C (32) forms | Male | Cadets 12-14 years"

#	Name	Team	Country	Score
1	Mihails Fiškiss	Team Konoha Martial Arts Academy	Latvia	7,75

"Taolu Barehand Changquan E (16,20,24) forms | Female | Children 7-8 years"

#	Name	Team	Country	Score
1	Mia Lilientāle	Team Konoha Martial Arts Academy	Latvia	7,95
2	Alisa Lapurina	Team Konoha Martial Arts Academy	Latvia	7,55

"Taolu Barehand Changquan E (16,20,24) forms | Male | Children 7-8 years"

#	Name	Team	Country	Score
1	Deniss Horošilovs	Team Konoha Martial Arts Academy	Latvia	7,25
2	Dmitrijs Dzedzuško	Team Konoha Martial Arts Academy	Latvia	7,05

"Taolu Barehand Taijiquan E (16,20,24) forms | Female | Cadets 12-14 years"

#	Name	Team	Country	Score
1	Sara Jasmin Bürger	Golden Dragon Martial Arts School	Germany	7,35

"Taolu Barehand Changquan F (1/2 32) forms | Female | Juniors 15-17 years"

#	Name	Team	Country	Score
1	Linda Balašova	Rīgas U-šu Kungfu un austrumcīņu sporta centrs	Latvia	7,75

"Taolu Barehand Changquan F (1/2 32) forms | Female | Children 8-11 years"

#	Name	Team	Country	Score
1	Margarita Zaharova	Team Konoha Martial Arts Academy	Latvia	7,1
2	Alisa Puzirjova	Rīgas U-šu Kungfu un austrumcīņu sporta centrs	Latvia	7
3	Anna Samigullina	Rīgas U-šu Kungfu un austrumcīņu sporta centrs	Latvia	6,8
4	Mara Bettina Hocker	Golden Dragon Martial Arts School	Germany	6,75

"Taolu Barehand Changquan F (1/2 32) forms | Female | Children 7 years"

#	Name	Team	Country	Score
1	Mia Lilientāle	Team Konoha Martial Arts Academy	Latvia	7,5
2	Olivija Jansone	Rīgas U-šu Kungfu un austrumcīņu sporta centrs	Latvia	7,05
3	Šarlote Anna Roze	Rīgas U-šu Kungfu un austrumcīņu sporta centrs	Latvia	6,85
4	Darja Zabudska	Rīgas U-šu Kungfu un austrumcīņu sporta centrs	Latvia	6,8

"Taolu Barehand Changquan, Nanquan E (16,20,24), F (1/2 32) forms | Male | Children 9-11 years"

#	Name	Team	Country	Score
1	Raphael Alexander Bastian	Golden Dragon Martial Arts School	Germany	6,95
2	Timurs Gasanovs	Team Konoha Martial Arts Academy	Latvia	6,6
3	Gabriēls Bublejs	Rīgas U-šu Kungfu un austrumcīņu sporta centrs	Latvia	6,45

"Taolu Barehand Changquan F (1/2 32) forms | Female | Children 6 years and younger"

#	Name	Team	Country	Score
1	Marija Draganova	Rīgas U-šu Kungfu un austrumcīņu sporta centrs	Latvia	6,65
2	Afina Jelisejeva	Rīgas U-šu Kungfu un austrumcīņu sporta centrs	Latvia	6,5
3	Mila Medvedeva	Rīgas U-šu Kungfu un austrumcīņu sporta centrs	Latvia	6,325
4	Sonea Kerstin Hocker	Golden Dragon Martial Arts School	Germany	6

"Taolu Barehand Changquan F (1/2 32) forms | Male | Children 6 years and younger"

#	Name	Team	Country	Score
1	Maksimilians Zvaigzne	Rīgas U-šu Kungfu un austrumcīņu sporta centrs	Latvia	6,5
2	Romeo Alexander Bastian	Golden Dragon Martial Arts School	Germany	

"Taolu Barehand Changquan F (1/2 32) forms | Male | Children 7-8 years"

#	Name	Team	Country	Score
1	Mihails Prohorovs	Rīgas U-šu Kungfu un austrumcīņu sporta centrs	Latvia	7,1
2	Markuss Makņā	Team Konoha Martial Arts Academy	Latvia	6,75
3	Artemijs Kurakins	Rīgas U-šu Kungfu un austrumcīņu sporta centrs	Latvia	6,7
4	Deniss Horošilovs	Team Konoha Martial Arts Academy	Latvia	6,675
5	Artūrs Puzirjovs	Rīgas U-šu Kungfu un austrumcīņu sporta centrs	Latvia	6,65

"Taolu Short weapons Jianshu, Daoshu E (16,20,24) forms | Female | Children 9-11 years"

#	Name	Team	Country	Score
1	Ksenija Romaševa	Team Konoha Martial Arts Academy	Latvia	6,8
2	Margarita Zaharova	Team Konoha Martial Arts Academy	Latvia	6,7
3	Poļina Romaševa	Team Konoha Martial Arts Academy	Latvia	6,6

"Taolu Short weapons Daoshu F (1/2 32) forms | Female | Children 6-8 years"

#	Name	Team	Country	Score
1	Mara Bettina Hocker	Golden Dragon Martial Arts School	Germany	6,35

"Taolu Short weapons Daoshu F (1/2 32) forms | Male | Children 6-9 years"

#	Name	Team	Country	Score
1	Mihails Prohorovs	Rīgas U-šu Kungfu un austrumcīņu sporta centrs	Latvia	6,575
2	Gabriēls Bublejs	Rīgas U-šu Kungfu un austrumcīņu sporta centrs	Latvia	6,55

"Taolu Short weapons Jianshu, Daoshu C (32) forms | Female | Children 9-11 years"

#	Name	Team	Country	Score
1	Anna Zablocka	Team Konoha Martial Arts Academy	Latvia	7,85
2	Uljana Lukjanenko	Team Konoha Martial Arts Academy	Latvia	7,8
3	Sati Bagojana	Team Konoha Martial Arts Academy	Latvia	7,6
4	Anna Naudžuna	Rīgas U-šu Kungfu un austrumcīņu sporta centrs	Latvia	7,3
5	Nikoļa Petrova	Rīgas U-šu Kungfu un austrumcīņu sporta centrs	Latvia	

"Taolu Short weapons Daoshu C (32) forms | Male | Children 7-8 years"

#	Name	Team	Country	Score
1	Mihails Varlīga	Rīgas U-šu Kungfu un austrumcīņu sporta centrs	Latvia	7,3
2	Dominiks Jelisejevs	Rīgas U-šu Kungfu un austrumcīņu sporta centrs	Latvia	7,05

"Taolu Short weapons Daoshu C (32) forms | Male | Children 9-11 years"

#	Name	Team	Country	Score
1	Ilja Kiseļovs	Rīgas U-šu Kungfu un austrumcīņu sporta centrs	Latvia	7,6
2	Jevhenii Sushkevych	Team Konoha Martial Arts Academy	Latvia	7,55
3	Arsenijs Pravdivecs	Rīgas U-šu Kungfu un austrumcīņu sporta centrs	Latvia	7,4
4	Gļebs Seļeckis	Rīgas U-šu Kungfu un austrumcīņu sporta centrs	Latvia	7,15
5	Dauids Buckis	Rīgas U-šu Kungfu un austrumcīņu sporta centrs	Latvia	7,05
6	Raphael Alexander Bastian	Golden Dragon Martial Arts School	Germany	6,8

"Taolu Short weapons Daoshu C (32) forms | Male | Cadets 12-14 years"

#	Name	Team	Country	Score
1	Mihails Fiškiss	Team Konoha Martial Arts Academy	Latvia	7,625
2	Nikita Fiļs	Team Konoha Martial Arts Academy	Latvia	7,35

"Taolu Short weapons Jianshu, Nandao A (3 set, Optional) forms | Male | Juniors 15-17 years"

#	Name	Team	Country	Score
1	Nykyta Kokins	Rīgas U-šu Kungfu un austrumcīņu sporta centrs	Latvia	8,55
2	Filips Sebastians Banders	Rīgas U-šu Kungfu un austrumcīņu sporta centrs	Latvia	8,35

"Taolu Long weapons Gunshu, Qiangshu A (3 set, Optional), B (1st set) forms | Female | Cadets, Juniors 12-17 years"

#	Name	Team	Country	Score
1	Estere Sofija Spūle	Rīgas U-šu Kungfu un austrumcīņu sporta centrs	Latvia	8,35
2	Marija Kustova	Rīgas U-šu Kungfu un austrumcīņu sporta centrs	Latvia	7,95

"Taolu Long weapons Gunshu B (1 set) forms | Male | Children, Cadets"

#	Name	Team	Country	Score
1	Eduards Rumjancevs	Rīgas U-šu Kungfu un austrumcīņu sporta centrs	Latvia	7,9
2	Leonids Veselovs	Rīgas U-šu Kungfu un austrumcīņu sporta centrs	Latvia	7,65
3	Ilja Mihailovs	Rīgas U-šu Kungfu un austrumcīņu sporta centrs	Latvia	7,625
4	Miroslavs Pozņakovs	Rīgas U-šu Kungfu un austrumcīņu sporta centrs	Latvia	7,4
5	Konstantīns Semenko	Rīgas U-šu Kungfu un austrumcīņu sporta centrs	Latvia	7,1
6	Andrejs Zaborovskis	Rīgas U-šu Kungfu un austrumcīņu sporta centrs	Latvia	

"Taolu Long weapons Gunshu, Qiangshu C (32) forms | Female | Children 9-11 years"

#	Name	Team	Country	Score
1	Anna Zablocka	Team Konoha Martial Arts Academy	Latvia	7,75
2	Uljana Lukjanenko	Team Konoha Martial Arts Academy	Latvia	7,65
3	Sati Bagojana	Team Konoha Martial Arts Academy	Latvia	7,55
4	Anna Naudžuna	Rīgas U-šu Kungfu un austrumcīņu sporta centrs	Latvia	7,325
5	Nikoļa Petrova	Rīgas U-šu Kungfu un austrumcīņu sporta centrs	Latvia	

"Taolu Long weapons Gunshu C (32) forms | Male | Children 7-8 years"

#	Name	Team	Country	Score
1	Mihails Varlīga	Rīgas U-šu Kungfu un austrumcīņu sporta centrs	Latvia	7,4
2	Dominiks Jelisejevs	Rīgas U-šu Kungfu un austrumcīņu sporta centrs	Latvia	7,1

"Taolu Long weapons Gunshu C (32) forms | Male | Children 9-11 years"

#	Name	Team	Country	Score
1	Ilja Kiseļovs	Rīgas U-šu Kungfu un austrumcīņu sporta centrs	Latvia	7,725
2	Jevhenii Sushkevych	Team Konoha Martial Arts Academy	Latvia	7,55
3	Arsenijs Pravdivecs	Rīgas U-šu Kungfu un austrumcīņu sporta centrs	Latvia	7,5
4	Timurs Krasnovs	Team Konoha Martial Arts Academy	Latvia	7,3
5	Dauids Buckis	Rīgas U-šu Kungfu un austrumcīņu sporta centrs	Latvia	7,15
6	Gļebs Seļeckis	Rīgas U-šu Kungfu un austrumcīņu sporta centrs	Latvia	7,1
7	Vladislavs Beļskis	Team Konoha Martial Arts Academy	Latvia	7

"Taolu Long weapons Gunshu C (32) forms | Male | Cadets 12-14 years"

#	Name	Team	Country	Score
1	Mihails Fiškiss	Team Konoha Martial Arts Academy	Latvia	7,9
2	Nikita Fiļs	Team Konoha Martial Arts Academy	Latvia	7,7

"Taolu Long weapons Qiangshu A (3 set, Optional) forms | Male | Juniors 15-17 years"

#	Name	Team	Country	Score
1	Filips Sebastians Banders	Rīgas U-šu Kungfu un austrumcīņu sporta centrs	Latvia	8,3

"Taolu Long weapons Gunshu E (16,20,24), F (1/2 32) forms | Female | Children 6-8 years"

#	Name	Team	Country	Score
1	Olivija Jansone	Rīgas U-šu Kungfu un austrumcīņu sporta centrs	Latvia	7
2	Šarlote Anna Roze	Rīgas U-šu Kungfu un austrumcīņu sporta centrs	Latvia	6,85
3	Marija Draganova	Rīgas U-šu Kungfu un austrumcīņu sporta centrs	Latvia	6,8
4	Alisa Puzirjova	Rīgas U-šu Kungfu un austrumcīņu sporta centrs	Latvia	6,75
5	Afina Jelisejeva	Rīgas U-šu Kungfu un austrumcīņu sporta centrs	Latvia	6,15

"Taolu Long weapons Gunshu F (1/2 32) forms | Female | Juniors 15-17 years"

#	Name	Team	Country	Score
1	Linda Balašova	Rīgas U-šu Kungfu un austrumcīņu sporta centrs	Latvia	7,75

"Taolu Long weapons Gunshu F (1/2 32) forms | Male | Children 6-8 years"

#	Name	Team	Country	Score
1	Mihails Prohorovs	Rīgas U-šu Kungfu un austrumcīņu sporta centrs	Latvia	7,05
2	Artemijs Kurakins	Rīgas U-šu Kungfu un austrumcīņu sporta centrs	Latvia	6,95
3	Markuss Makņa	Team Konoha Martial Arts Academy	Latvia	6,8
4	Maksimilians Zvaigzne	Rīgas U-šu Kungfu un austrumcīņu sporta centrs	Latvia	6,65
5	Artūrs Puzirjovs	Rīgas U-šu Kungfu un austrumcīņu sporta centrs	Latvia	6,5

"Taolu Long weapons Gunshu F (1/2 32) forms | Female | Children 9-11 years"

#	Name	Team	Country	Score
1	Polīna Romaševa	Team Konoha Martial Arts Academy	Latvia	7
2	Ksenija Romaševa	Team Konoha Martial Arts Academy	Latvia	6,9

"Taolu Long weapons Gunshu F (1/2 32) forms | Male | Children 9-11 years"

#	Name	Team	Country	Score
1	Gabriēls Bublejs	Rīgas U-šu Kungfu un austrumcīņu sporta centrs	Latvia	6,85
2	Timurs Gasanovs	Team Konoha Martial Arts Academy	Latvia	6,65

"Taolu Traditional barehand forms Taijiquan | | Female | Senior 36 years and older"

#	Name	Team	Country	Score
1	Olga Prohorova	Rīgas U-šu Kungfu un austrumcīņu sporta centrs	Latvia	8,55
2	Vitalija Drozdova	Rīgas U-šu Kungfu un austrumcīņu sporta centrs	Latvia	8,35
3	Jekaterina Varliga	Rīgas U-šu Kungfu un austrumcīņu sporta centrs	Latvia	8,3
4	Olga Selecka	Rīgas U-šu Kungfu un austrumcīņu sporta centrs	Latvia	8,15
5	Sylvia Bürger	Golden Dragon Martial Arts School	Germany	8,1

"Taolu Traditional barehand forms Taijiquan | | Male | Juniors 15-17 years"

#	Name	Team	Country	Score
1	Roberts Ritenbergs	Rīgas U-šu Kungfu un austrumcīņu sporta centrs	Latvia	8,45

"Taolu Traditional barehand forms Taijiquan | | Male | Senior 36 years and older"

#	Name	Team	Country	Score
1	Andris Miklūns	Rīgas U-šu Kungfu un austrumcīņu sporta centrs	Latvia	8,45

"Taolu Traditional Barehand Mixed styles | Female | Juniors, Adults"

#	Name	Team	Country	Score
1	Estere Sofija Spūle	Rīgas U-šu Kungfu un austrumcīņu sporta centrs	Latvia	8,6
2	Elīna Udalova	Team Konoha Martial Arts Academy	Latvia	8,55
3	Sofija Hopaniuk	Team Konoha Martial Arts Academy	Latvia	8,4
4	Arina Plotnikova	Team Konoha Martial Arts Academy	Latvia	8,25
5	Albina Karolj	Team Konoha Martial Arts Academy	Latvia	8,2

"Taolu Traditional barehand Mixed styles | Male | Cadets, Juniors"

#	Name	Team	Country	Score
1	Maksims Jevsejevs	Rīgas U-šu Kungfu un austrumcīņu sporta centrs	Latvia	8,75
2	Nikita Matvejevs	Rīgas U-šu Kungfu un austrumcīņu sporta centrs	Latvia	8,55
3	Danila Morevs	Team Konoha Martial Arts Academy	Latvia	8,375
4	Edgars Zariņš	Team Konoha Martial Arts Academy	Latvia	8,15

"Taolu Traditional barehand forms Tongbei, Fanzi, Chuoqiao, Pigua styles | Male | Children 9-11 years"

#	Name	Team	Country	Score
1	Raphael Alexander Bastian	Golden Dragon Martial Arts School	Germany	7,35

"Taolu Traditional weapons Taiji | Female | Cadets, Adults"

#	Name	Team	Country	Score
1	Elīna Udalova	Team Konoha Martial Arts Academy	Latvia	8,525
2	Sara Jasmin Bürger	Golden Dragon Martial Arts School	Germany	8,15

"Taolu Traditional barehand forms Wudang styles | | Female | Cadets 12-14 years"

#	Name	Team	Country	Score
1	Poļina Kovtaņuka	Team Konoha Martial Arts Academy	Latvia	8,3
2	Marija Kustova	Rīgas U-šu Kungfu un austrumcīņu sporta centrs	Latvia	8

"Taolu Traditional weapons Group 6 Taiji | | Female | Senior 36 years and older"

#	Name	Team	Country	Score
1	Olga Prohorova	Rīgas U-šu Kungfu un austrumcīņu sporta centrs	Latvia	8,4
2	Vitalija Drozdova	Rīgas U-šu Kungfu un austrumcīņu sporta centrs	Latvia	8,15
3	Sylvia Bürger	Golden Dragon Martial Arts School	Germany	8,1
4	Jekaterina Varliga	Rīgas U-šu Kungfu un austrumcīņu sporta centrs	Latvia	8,1
5	Olga Selecka	Rīgas U-šu Kungfu un austrumcīņu sporta centrs	Latvia	8,05

"Taolu Traditional weapons Taiji | | Male | Juniors 15-17 years"

#	Name	Team	Country	Score
1	Roberts Ritenbergs	Rīgas U-šu Kungfu un austrumcīņu sporta centrs	Latvia	8,45

"Taolu Traditional weapons Taiji | | Male | Senior 36 years and older"

#	Name	Team	Country	Score
1	Andris Miklūns	Rīgas U-šu Kungfu un austrumcīņu sporta centrs	Latvia	8,3

"Taolu Traditional Long weapons | Male | Juniors 15-17 years"

#	Name	Team	Country	Score
1	Nikita Matvejevs	Rīgas U-šu Kungfu un austrumcīņu sporta centrs	Latvia	8,65
2	Danila Morevs	Team Konoha Martial Arts Academy	Latvia	8,5
3	Nykyta Kokins	Rīgas U-šu Kungfu un austrumcīņu sporta centrs	Latvia	8,4

"Taolu Traditional weapons Gunshu | | Female | Cadets 12-14 years"

#	Name	Team	Country	Score
1	Poļina Kovtaņuka	Team Konoha Martial Arts Academy	Latvia	8,25
2	Marija Kustova	Rīgas U-šu Kungfu un austrumcīņu sporta centrs	Latvia	7,1

"Taolu Traditional Short and Double weapons | Female | Juniors, Adults"

#	Name	Team	Country	Score
1	Elīna Udalova	Team Konoha Martial Arts Academy	Latvia	8,575
2	Sandra Pļenkova	Team Kung Fu PANSIN	Latvia	8,35
3	Sofija Hopaniuk	Team Konoha Martial Arts Academy	Latvia	8,1
4	Albina Karolj	Team Konoha Martial Arts Academy	Latvia	8,05

"Taolu Traditional weapons Short | | Female | Cadets 12-14 years"

#	Name	Team	Country	Score
1	Zlata Tvorogova	Team Konoha Martial Arts Academy	Latvia	8,6
2	Poļina Kovtaņuka	Team Konoha Martial Arts Academy	Latvia	8,2

"Taolu Traditional weapons Short | | Male | Juniors 15-17 years"

#	Name	Team	Country	Score
1	Nikita Matvejevs	Rīgas U-šu Kungfu un austrumcīņu sporta centrs	Latvia	

"Bingdao Taolu | | Male | Children, Cadets 11-13 years"

#	Name	Team	Country	Score
1	Artjoms Goličenkovs	Rīgas U-šu Kungfu un austrumcīņu sporta centrs	Latvia	7,35
2	Andrejs Čerņavskis	Rīgas U-šu Kungfu un austrumcīņu sporta centrs	Latvia	7,15
3	Linards Lučinskis	Rīgas U-šu Kungfu un austrumcīņu sporta centrs	Latvia	7
4	Nikita Larionovs	Rīgas U-šu Kungfu un austrumcīņu sporta centrs	Latvia	

"Bingdao Taolu | Male | Cadets, Juniors, Adults 14-18 years"

#	Name	Team	Country	Score
1	Andraniks Halatjans	Rīgas U-šu Kungfu un austrumcīņu sporta centrs	Latvia	7,3
2	Žans Freimanis	Rīgas U-šu Kungfu un austrumcīņu sporta centrs	Latvia	7,275
3	Daniils Bille	Rīgas U-šu Kungfu un austrumcīņu sporta centrs	Latvia	7,225
4	Viktors Badajevs	Rīgas U-šu Kungfu un austrumcīņu sporta centrs	Latvia	6,95
5	Semjons Zotovs	Rīgas U-šu Kungfu un austrumcīņu sporta centrs	Latvia	6,875

"Bingdao Taolu | | Female | Cadets 12-14 years"

#	Name	Team	Country	Score
1	Jelizaveta Geštovta	Rīgas U-šu Kungfu un austrumcīņu sporta centrs	Latvia	7,15
2	Laura Lipšāne	Rīgas U-šu Kungfu un austrumcīņu sporta centrs	Latvia	7,1

"Bingdao Duilan"

#	Name	Team	Country	Score
1	Daniils Bille	Rīgas U-šu Kungfu un austrumcīņu sporta centrs	Latvia	7,475
1	Andraniks Halatjans	Rīgas U-šu Kungfu un austrumcīņu sporta centrs	Latvia	7,475
2	Žans Freimanis	Rīgas U-šu Kungfu un austrumcīņu sporta centrs	Latvia	7,4
2	Kristaps Žikars	Rīgas U-šu Kungfu un austrumcīņu sporta centrs	Latvia	7,4
3	Artjoms Goličenkovs	Rīgas U-šu Kungfu un austrumcīņu sporta centrs	Latvia	7,3
3	Mihails Černobiļskis	Rīgas U-šu Kungfu un austrumcīņu sporta centrs	Latvia	7,3
4	Anda Detkova	Rīgas U-šu Kungfu un austrumcīņu sporta centrs	Latvia	6,9
4	Andrejs Čerņavskis	Rīgas U-šu Kungfu un austrumcīņu sporta centrs	Latvia	6,9

14th RIGA OPEN WUSHU CUP – FINAL RESULTS – June 8-9, 2024

bingdao Children - Cadetes/Female/11-13 years

- 1 Jelizaveta Geštovta
- 2 Sati Bagojana
- 3 Laura Lipšāne
- 4 Margarita Zaharova

I	Jelizaveta Geštovta
II	Laura Lipšāne
III	Sati Bagojana

Pusfināls

Jelizaveta Geštovta		
x		x
	x	
Sati Bagojana		

3

Laura Lipšāne		
x	x	
Margarita Zaharova		

4

Fināls

Jelizaveta Geštovta		
x	x	
Laura Lipšāne		

18

Jelizaveta Geštovta

Cīņa par 3.vietu

Sati Bagojana		
x	x	
Margarita Zaharova		

14

Sati Bagojana

3. vieta

14th RIGA OPEN WUSHU CUP – FINAL RESULTS – June 8-9, 2024

bingdao Cadetes/Male/ 13-15 years

- 1 Viktors Badajevs
- 2 Nikita Fiļs
- 3 Artjoms Goličenkovs
- 4 Linards Lučinskis

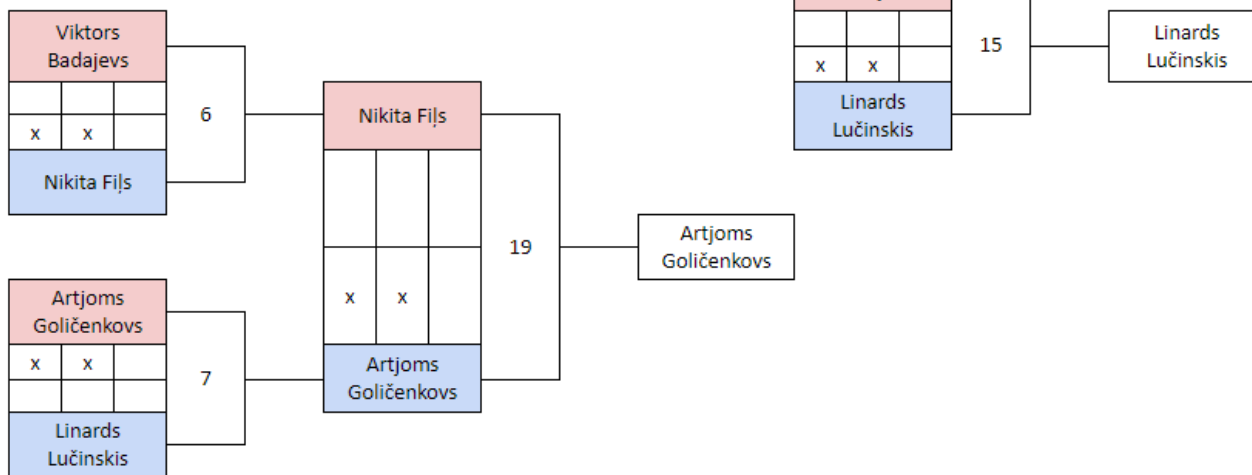
I	Artjoms Goličenkovs
II	Nikita Fiļs
III	Linards Lučinskis

Pusfināls

Fināls

Cīņa par 3.vietu

3. vieta



14th RIGA OPEN WUSHU CUP – FINAL RESULTS – June 8-9, 2024

bingdao Cadetes - Adults/Male/13-19 years

- 1 Andranik Halatjans
- 2 Daniils Bille
- 3 Žans Freimanis
- 4 Mihails Fiškiss
- 5 Mihails Černobiļskis

I	Mihails Fiškiss
II	Andranik Halatjans
III	Daniils Bille

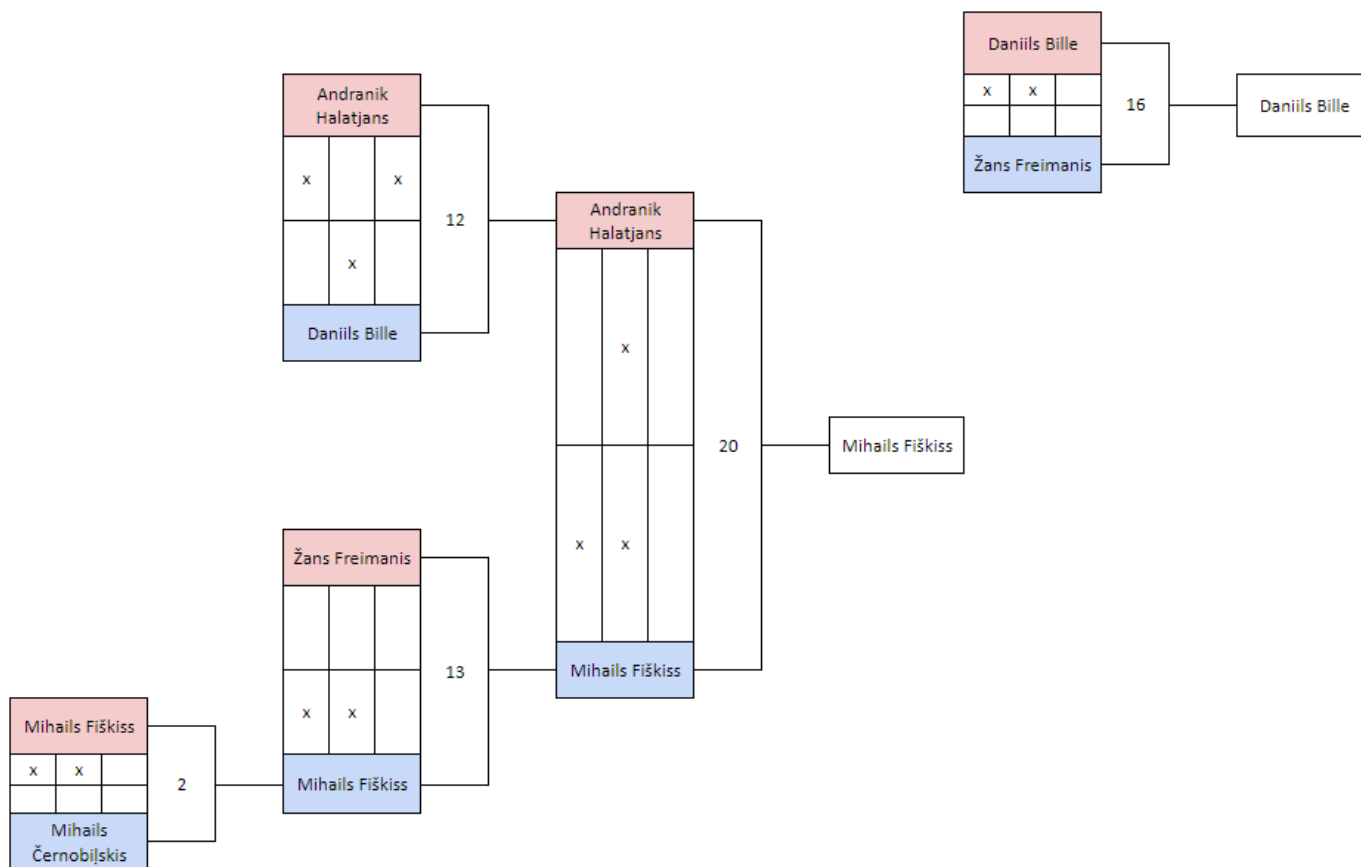
Ceturtdaļfināls

Pusfināls

Fināls

Cīņa par 3.vietu

3. vieta



14th RIGA OPEN WUSHU CUP – FINAL RESULTS – June 8-9, 2024

bingdao Children/Male/ 8-11years

- 1 Timurs Krasnovs
- 2 Kārlis Dzintars
- 3 Platons Bojarkins
- 4 Timurs Gasanovs
- 5 Riņards Valters

I	Platons Bojarkins
II	Timurs Krasnovs
III	Timurs Gasanovs

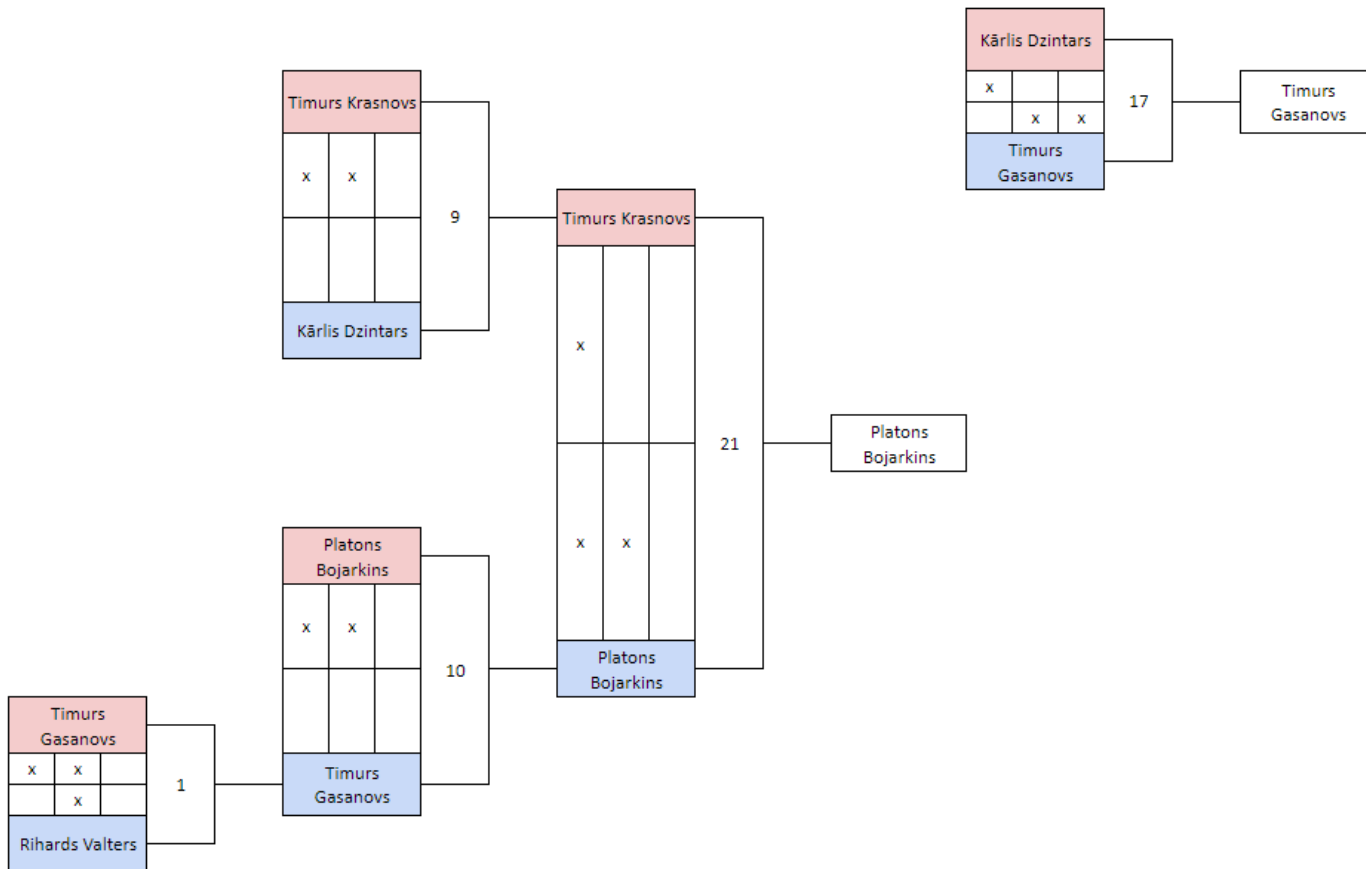
Ceturtdaļfināls

Pusfināls

Fināls

Cīņa par 3.vietu

3. vieta



bingdao Children/Female/8-10 years

- 1 Anna Naudžuna
- 2 Dana Radigina
- 3 Oleksandra Zhamlikhanova

I	Dana Radigina
II	Anna Naudžuna
III	Oleksandra Zhamlikhanova

Fināls

